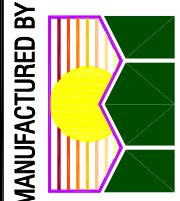


REVISIONS:
A 4/13/06 ALP
revise warning



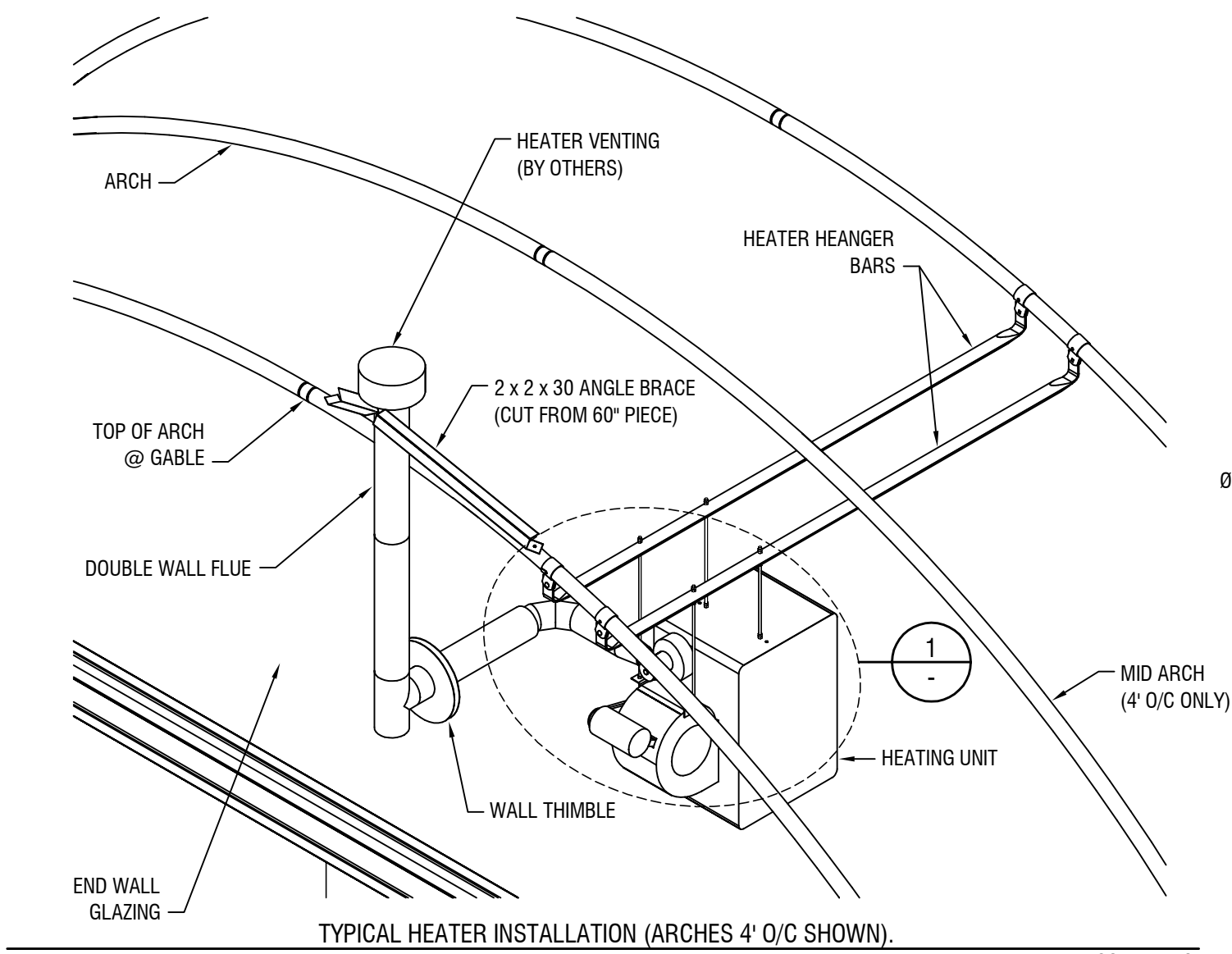
TECH
TEL (925)432-3399
FAX (925)432-3521



AGRA
2131 PIEDMONT WAY
PITTSBURG CA 94565

NON GUTTERED
ARCH HOUSE SERIES
HEATER HANGER
B OR P TYPE UNIT

DATE:
1/2/2001
JOB NO.
-
DRAWN BY:
VB
-
DRAWING NUMBER
1
HH-ARCH1



TYPICAL HEATER INSTALLATION (ARCHES 4' O/C SHOWN).

SCALE: NTS

HEATER ACCESSORIES BY AGRA TECH

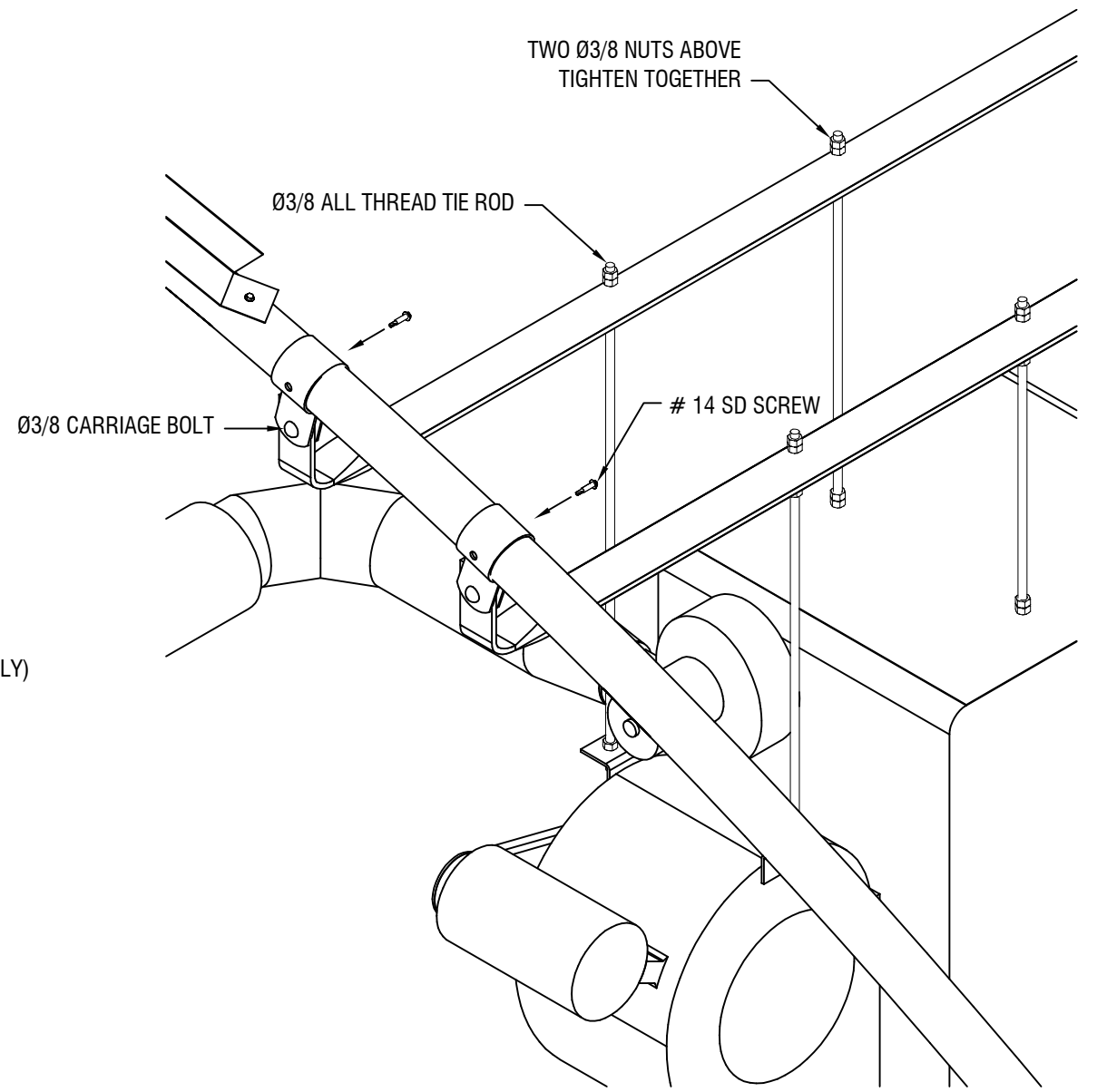
1. Ø3/8 ALL THREAD ROD (ALL THREAD RODS DIRECTLY MOUNT IN PRE MADE HOLES IN HEATER. NUMBERS OF HOLES DEPENDS ON SIZE OF A HEATER).
2. Ø1 7/8 x 96 HEATER HANGER BAR FOR ARCHES 4' O/C. (CUSTOMER TO DRILL HOLES AS DETERMINED).
Ø1 7/8 x 72 HEATER HANGER BAR FOR ARCHES 6' O/C. (CUSTOMER TO DRILL HOLES AS DETERMINED).

PROCEDURE

1. AFTER EXACT POSITIONING OF HEATER, DRILL HEATER HANGER BAR FOR ALL ALL TREAD TIE ROD CONNECTIONS.
2. SLIP BRACE BANDS OVER ARCHES AND BOLT HEATER HANGER BARS TO BRACE BANDS WITH Ø3/8 CARRIAGE BOLTS. FASTEN BRACE BANDS TO ARCHES WITH # 14 SD SCREWS.
3. FIND DESIRED HEIGHT OF HEATER AND CUT ALL THREAD RODS IF NECESSARY. MAKE SURE ALL THREAD RODS ARE LONG ENOUGH TO THREAD INTO A HEATER.
4. INSTALL 3/8" NUT ONTO ONE END OF EACH ALL THREAD ROD. INSTALL RODS DIRECTLY INTO HEATER MOUNTING HOLES AS FAR AS THEY WILL GO, THEN TIGHTEN 3/8" NUT TO TOP OF HEATER TO SECURE ROD.
5. TO HANG HEATER, LIFT HEATING UNIT WITH ALL THREAD RODS AND POSITION IN PRE DRILLED HOLES IN HEATER HANGER BAR. INSTALL ONE 3/8" NUT BELOW AND TWO 3/8" NUTS ABOVE HEATER HANGER BAR. LEVEL HEATER BY ADJUSTING NUTS. TIGHTEN NUTS TOGETHER.
6. FOR POLY ROOF, TAPE OVER SHARP EDGES TO PROTECT POLY.

NOTES:

1. COMPONENTS MAY VARY WITH HEATER SIZE, TYPE, FLUE ORIENTATION AND THE SPECIFIC APPLICATION.
2. IF PROPELLER UNIT TO BE USED WITH H.A.F. FANS, INSTALL TO FACE OPPOSITE GABLE.



1 - DETAIL - HEATER HANGER BAR ATTACHMENT TO ARCH

SCALE: NTS

WARNING
IMPROPER HEATER INSTALLATION, VENTING, OPERATION OR MAINTENANCE MAY RESULT IN SEVERE PROPERTY DAMAGE, PERSONAL INJURY OR DEATH. THOROUGHLY READ THE MANUAL PROVIDED BY THE MANUFACTURER OF THE HEATER BEFORE INSTALLING OR SERVICING THE EQUIPMENT, AND KEEP IT FOR FUTURE REFERENCE. THESE INSTALLATION INSTRUCTIONS PERTAIN ONLY TO THE MOUNTING OF HEATERS IN GREENHOUSES MANUFACTURED BY AGRA TECH, INC. AND ARE NOT INTENDED TO REPLACE THE INSTRUCTIONS PRODUCED BY THE HEATER MANUFACTURER.